

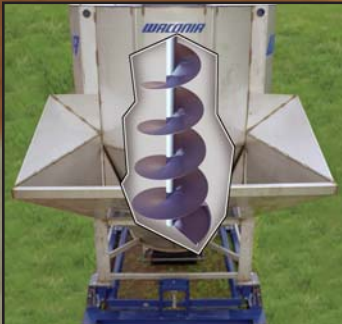
# WACONIA

## TA-SERIES BLENDERS

Tapered Auger Vertical Blenders  
6, 8, 10, 12, 14 & 16 Ton



Double-reduction gearbox is designed specifically for heavy service applications. Premium efficiency motor.



Tapered, 40-inch to 22-inch diameter auger provides thorough, fast and consistently accurate blends. Hopper is 8 feet wide.



Four Load Cell scale system is NTEP Certified. Heavy-duty, 6-inch steel I-Beam frame.



We know our **TA-SERIES TAPERED AUGER** vertical blenders are going into extreme service and that you expect them to last for years. That's why we build them so well. **We don't cut corners.**

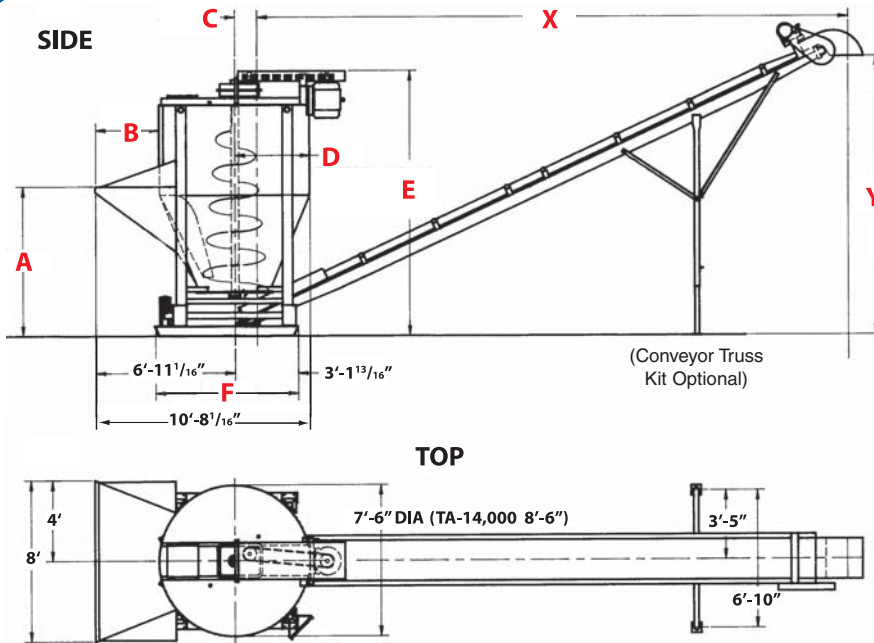
**Compare!** We think you'll see a lot of things our competitors didn't copy, like workmanship, material quality and performance.

- Drum and hopper are 12-gauge 304 stainless steel with solid-seam welds inside and out.
- Stainless steel, 14" or 16" wide discharge gate for fast unloading.
- Hopper has 56° slope & wide in-feed throat to speed loading.
- Stainless steel angle, 7-gauge 6-inch x 6-inch support legs.
- Material conditioner mounts inside hopper (optional).
- Manual or air-operated gate.
- Load cells are bolted to the frame for easy removal.

# TA-SERIES/TAPERED AUGER VERTICAL BLENDERS

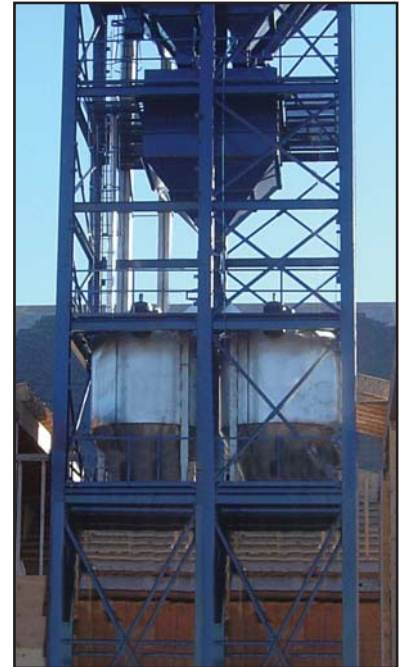
## SPECIFICATIONS

	TA-6000	TA-8000	TA-10000	TA-12000	TA-14000	TA-16000
<b>Drum:</b>	12 gauge, 304 stainless steel with solid-seam welds inside and out. Stainless steel top.					
<b>Hopper:</b>	12 gauge, 304 stainless steel with solid-seam welds inside and out — removable screen.					
<b>Scale:</b>	Four load cell scale system is NTEP certified.					
<b>Auger:</b>	40-inch diameter bottom, tapers to 22-inch diameter top.					
<b>Auger Motor:</b>	30 HP TEFC	40 HP TEFC	50 HP TEFC	75 HP TEFC	100 HP TEFC	125 HP TEFC
<b>Auger Bearing:</b>	One, easily accessible 2" SC 4-bolt flange. (2-15/16" bearing on 16-ton blender)					
<b>Gearbox:</b>	Heavy-duty, double reduction with quick-release, tapered bushing for easy removal.					
<b>Frame:</b>	6" x 6" stainless steel angle support legs with 4" x 4" stainless steel box tube welded inside — 6" I-beam base.					
<b>Capacity:</b>	6 Tons	8 Tons	10 Tons	12 Tons	14 Tons	16 Tons
<b>Discharge:</b>	14" or 16" manually-operated or air-operated stainless steel salem valve. 4-ton per minute discharge.					
<b>Conveyor:</b>	24" wide PVC belt (30" optional), 3 roller PVC troughing idlers with stainless steel shafts, stainless steel discharge hood.					



## OPTIONS

- Air-controlled salem valve discharge.
- Electrical control panel.
- Digital scale indicator.
- Material conditioner (installs inside hopper).
- TA-Series Blenders can be installed in new or existing Waconia Towers (see below).
- 30" discharge conveyor.



## DIMENSIONS

	TA-6000	TA-8000	TA-10000	TA-12000	TA-14000	TA-16000
<b>A</b>	6'-8"	7'-5"	7'-5"	7'-10"	8'-0"	8'-0"
<b>B</b>	2'-7"	3'-2"	3'-2"	3'-2"	3'-0"	4'-0"
<b>C</b>	13-1/4"	13-1/4"	13-1/4"	13-1/4"	13-1/4"	13-1/4"
<b>D</b>	3'-9"	3'-9"	3'-9"	3'-9"	4'-3"	4'-3"
<b>E</b>	11'-8"	13'-4"	14'-10"	17'-11"	16'-9"	18'-2"
<b>F</b>	6'-9"	8'-0"	8'-0"	8'-0"	8'-11"	9'-10"

## LENGTH OF CONVEYOR

	20'	22'	24'	26'	28'	30'	32'	34'	36'	38'	40'
<b>X</b>	18'-16"	20'-5"	22'-3"	24'-0"	25'-9"	27'-6"	29'-4"	31'-3"	33'-1"	34'-11"	36'-9"
<b>Y</b>	8'-9"	9'-8"	10'-6"	11'-4"	12'-2"	12'-11"	13'-10"	14'-8"	15'-6"	16'-4"	17'-1"

Distributed by:

# WACONIA

WACONIA MANUFACTURING, INC.

33 East 8th Street, Waconia, MN (USA) 55387

(952) 442-4450 Fax: 952-442-5923 • [www.waconiamfg.com](http://www.waconiamfg.com)

Specifications subject to change without notice. Capacities based on 60 PCF material.