

WACONIA

PORTABLE BELT CONVEYORS

UOB — UNDER CAR / OVER TRACK



*Adjustable
Discharge
Height*

Reliability, day-after-day, year-after-year, that's a Waconia UOB conveyor. Everything says heavy duty: welds, bearings, take-ups, tires, motors and more. They're loaded with features, built for performance and so incredibly well balanced that one person can move them with ease.

- Adjustable output elevation from 15° to 30°
- 24-Inch wide ribbed PVC belt
- Low belt speed reduces wear
- 304 Stainless steel construction
- Up to 90 TPH capacity
- Grease-packed take-ups

Maxconveyor

- Choice of electric, gas or tractor PTO drive
- 18-inch or 24-inch wide ribbed PVC belt
- Truss construction with extra-deep 11" trough
- 24-foot to 56-foot lengths
- Underslung drive and mid-mounted motor



Waconia's [Maxconveyor](#) and [Econveyor](#) have features and quality our competitors left out. PVC tri-rollers with stainless steel shafts and sealed ball bearings, low-maintenance 600 FPM belt speed, up to 240 TPH capacity and adjustable inclines from 15° to 30°.



Econveyor

- 304 stainless steel frames
- 18-inch or 24-inch wide ribbed PVC belt
- 28-foot to 50-foot lengths

PORTABLE BELT CONVEYORS

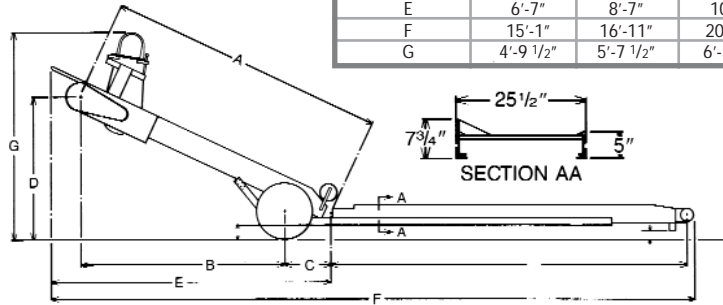
UOB — UNDER CAR / OVER TRACK



Overall Widths

- 33" At Drive End
- 42-1/2" At Wheels
- 30" At Take Up End

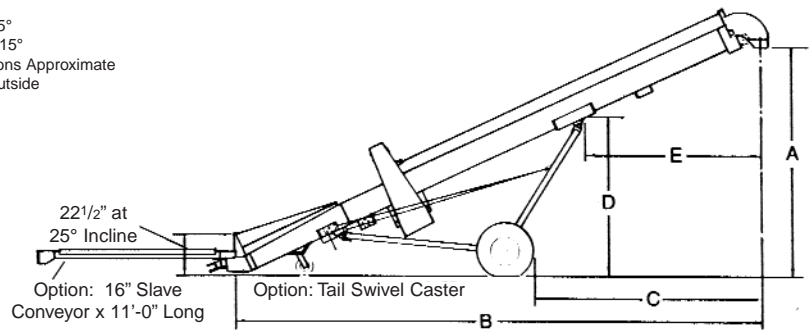
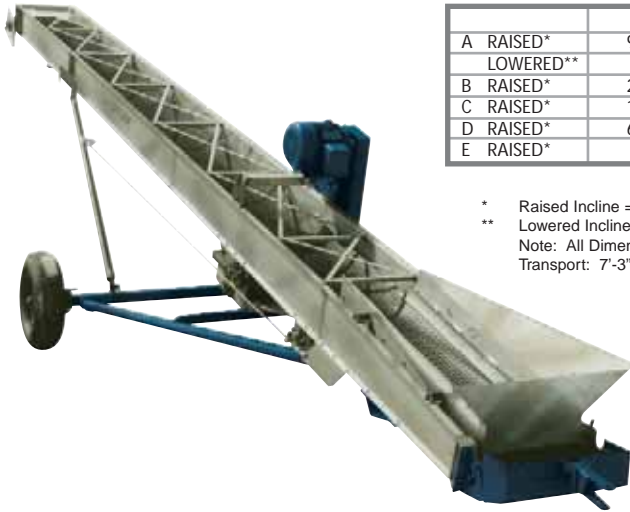
DIMENSIONS	86	88	1010
A	6'-5 1/2"	8'-5 1/2"	10'-5 1/2"
B	4'-9 1/4"	4'-11"	6'-7"
C	12 3/4"	2'-10 1/2"	2'-10 1/2"
D	3'-4"	4'-2"	5'-0"
E	6'-7"	8'-7"	10'-7"
F	15'-1"	16'-11"	20'-10"
G	4'-9 1/2"	5'-7 1/2"	6'-5 1/2"



MAXCONVEYOR

	24'	28'	32'	36'	40'	44'	48'	52'	56'
A RAISED*	9'-11"	11'-8"	13'-5"	15'-1"	16'-9"	18'-5"	20'-1"	21'-10"	23'-6"
LOWERED**	6'-5"	7'-4"	8'-4"	9'-5"	10'-5"	11'-6"	12'-6"	13'-7"	14'-7"
B RAISED*	23'-5"	27'-0"	30'-8"	34'-5"	37'-8"	41'-9"	45'-4"	48'-11"	52'-8"
C RAISED*	10'-3"	12'-4"	11'-9"	15'-6"	19'-1"	18'-4"	21'-11"	23'-0"	26'-9"
D RAISED*	6'-10"	7'-10"	8'-9"	9'-7"	10'-3"	12'-0"	13'-2"	14'-8"	14'-8"
E RAISED*	8'-2"	9'-9"	11'-3"	13'-3"	15'-7"	15'-2"	16'-6"	16'-11"	20'-6"

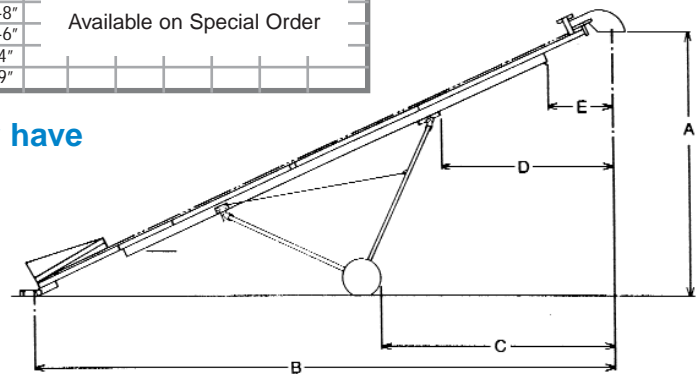
- * Raised Incline = 25°
- ** Lowered Incline = 15°
- Note: All Dimensions Approximate
- Transport: 7'-3" Outside



ECONVEYOR

	26'	28'	30'	32'	34'	36'	38'	40'	42'	44'	46'	48'	50'	52'	56'
A	11'-3"	12'-2"	13'-0"	13'-10"	14'-8"	15'-6"	16'-4"	17'-2"							
B	24'-10"	26'-8"	28'-6"	30'-4"	32'-2"	34'-0"	35'-10"	37'-8"							
C	9'-2"	11'-3"	11'-6"	12'-8"	13'-2"	13'-6"	14'-11"	15'-6"	Available on Special Order						
D	6'-5"	8'-4"	9'-5"	8'-0"	9'-0"	10'-0"	8'-3"	9'-4"							
E	18"	3'-9"	3'-9"	3'-9"	3'-9"	3'-9"	3'-9"	3'-9"							

Lengths 36 feet and over have underslung drive.



Distributed by:



WACONIA MANUFACTURING, INC.

33 East 8th Street, Waconia, MN (USA) 55387

(952) 442-4450 Fax: 952-442-5923 • www.waconiamfg.com

Specifications subject to change without notice. Capacities based on 60 PCF material.