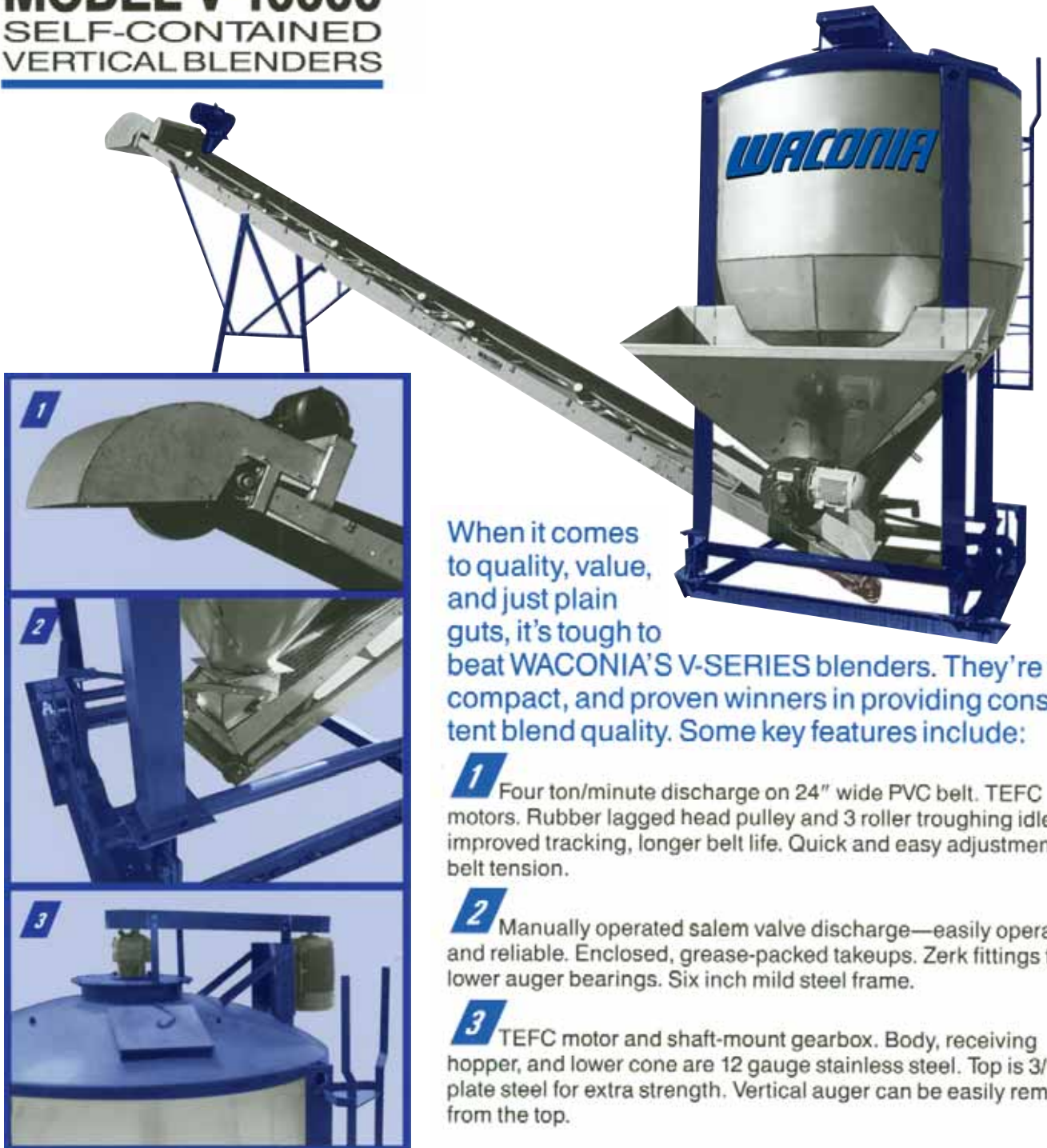


WACONIA

**MODEL V-6000
MODEL V-8000
MODEL V-10000**
SELF-CONTAINED
VERTICAL BLENDERS

EASY ASSEMBLY!



When it comes to quality, value, and just plain guts, it's tough to beat WACONIA'S V-SERIES blenders. They're fast, compact, and proven winners in providing consistent blend quality. Some key features include:

- 1** Four ton/minute discharge on 24" wide PVC belt. TEFC motors. Rubber lagged head pulley and 3 roller troughing idlers for improved tracking, longer belt life. Quick and easy adjustment of belt tension.
- 2** Manually operated salem valve discharge—easily operated and reliable. Enclosed, grease-packed takeups. Zerk fittings for lower auger bearings. Six inch mild steel frame.
- 3** TEFC motor and shaft-mount gearbox. Body, receiving hopper, and lower cone are 12 gauge stainless steel. Top is 3/16" plate steel for extra strength. Vertical auger can be easily removed from the top.

Equipment You Can Depend On!

SPECIFICATIONS

	V-6000	V-8000	V-10000
Drum/hopper:	12 ga. stainless steel		
Frame:	6" heavy duty mild steel		
Scale:	Pipe lever system with digital weight indicator and load cell		
Vertical Auger:	18" diameter helicoid, 3" bore, half pitch		
Vertical Auger Motor:	15 hp TEFC. Gearbox reducer and belt drive	20 hp TEFC. Gearbox reducer and belt drive	
Horizontal Auger:	12" diameter helicoid, 2" bore, full pitch		
Horizontal Auger Motor:	5 hp TEFC. Gearbox and C-faced drive		
Capacity:	6 tons	8 tons	10 tons
Discharge Rate:	4 tons per minute		
Conveyor:	Stainless steel with 24" wide PVC belt, 3 roller PVC troughing idlers with stainless steel shafts, stainless steel discharge hood		

Loadout Conveyors

11 Sizes Available

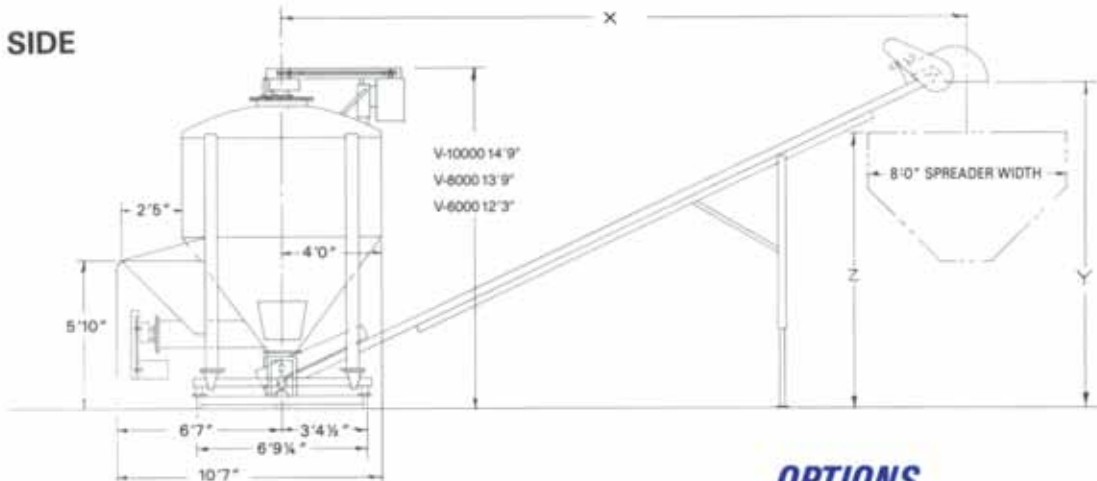
Adjustable Support Stand Height

Length Of Conveyor	DIMENSIONS		
	X	Y	Z
20'	18'-6"	8'-9"	7'-2"
22'	20'-5"	9'-8"	8'-0"
24'	22'-3"	10'-6"	8'-10"
26'	24'-0"	11'-4"	9'-8"
28'	25'-9"	12'-2"	10'-6"
30'	27'-6"	12'-11"	11'-4"
32'	29'-4"	13'-10"	11'-6"
34'	31'-3"	14'-8"	12'-3"
36'	33'-1"	15'-6"	13'-10"
38'	34'-11"	16'-4"	14'-8"
40'	36'-9"	17'-1"	15'-6"

TOP



SIDE



OPTIONS

- Air-controlled salem valve discharge.
- Electrical control panel.
- Chemical duty motors.
- Stainless steel spray unit for impregnation.

Specifications subject to change without notice.

Distributed By:

WACONIA

WACONIA MANUFACTURING, INC.

33 East 8th Street • Waconia, MN (USA) 55387

(952) 442-4450 • FAX (952) 442-5923

www.waconiamfg.com • waconia@waconiamfg.com

Printed in USA