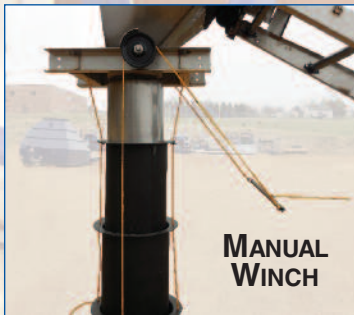




DUST

DEVIL!



MANUAL
WINCH



ELECTRIC
WINCH

STOP EATING DUST!

Dust Devil is a simple & affordable way to minimize dust when discharging free-flowing materials. It will improve your work environment by reducing dust in and around your facility. And it will help keep your trucks, your lungs and everything else cleaner.

Installation and operation are easy! You can install a Dust Devil on the end of a conveyor or discharge spout in about an hour. To operate, simply lower the spout and start filling, raising the spout periodically so it stays close to the top of the pile.

- Designed for fertilizer, but ideal for cement, grain, pesticides, salt, sand, sawdust, sugar and more.
- Available with manual winch or electric winch.
- Electric winch model uses a 3/4 HP TEFC motor and drive.
- Spout height can be controlled at the point-of-loading.
- Flexible polyethylene spouts will last for years.

WACONIA

WACONIA MANUFACTURING, INC.

33 East 8th Street, Waconia, MN (USA) 55387

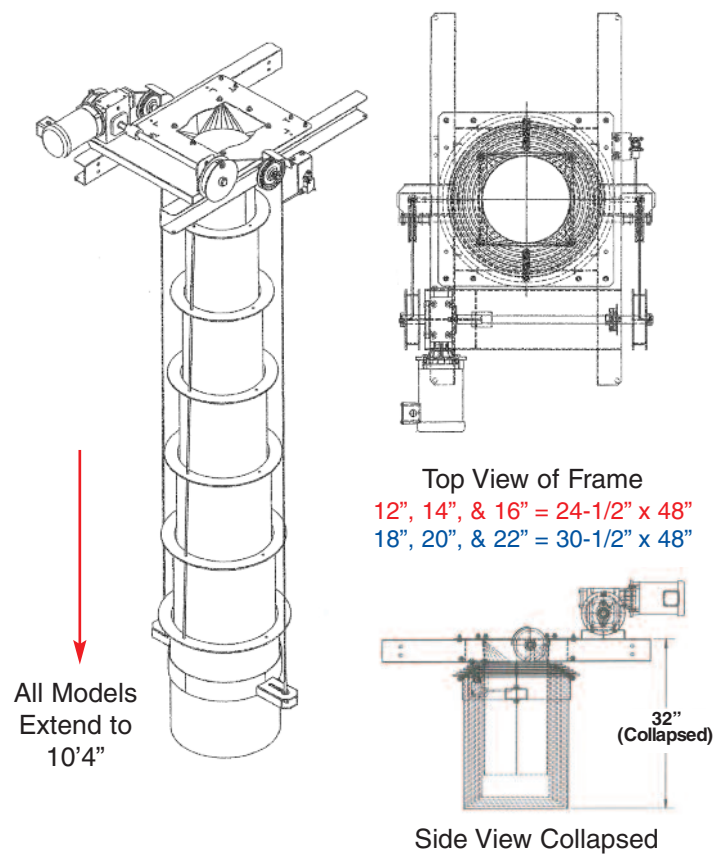
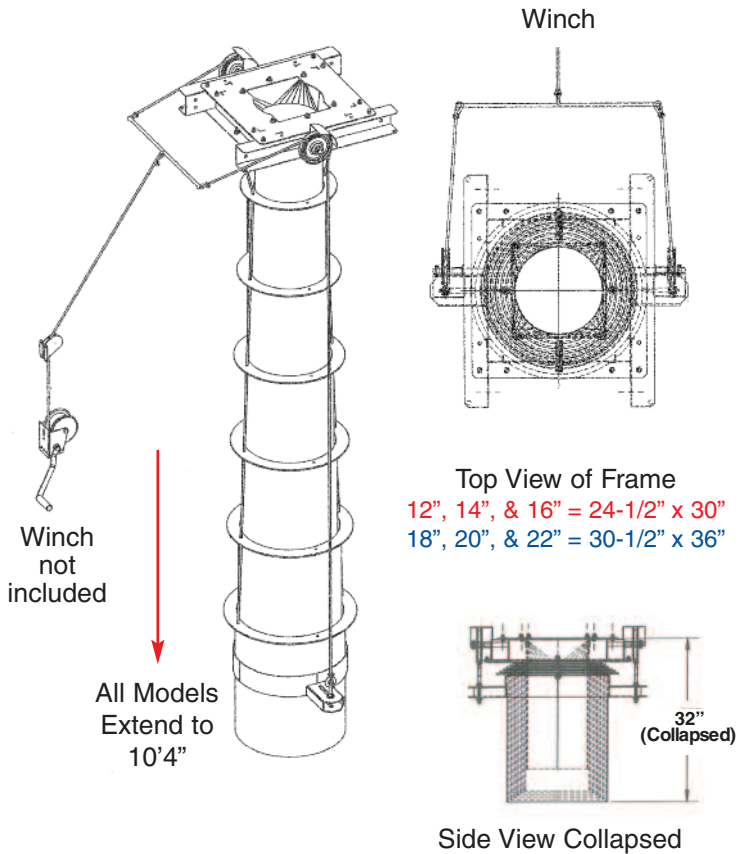
(952) 442-4450 Fax: 952-442-5923 • www.waconiamfg.com



DUST DEVIL!

12" TO 22" MODELS MANUAL WINCH

12" TO 22" MODELS ELECTRIC WINCH



MANUAL WINCH MODEL

- All sizes have 6 buckets.
- All models extend to 10' 4" and collapse to 32".
- Frame for 12", 14" & 16" sizes measures: 24-1/2" x 30".
- Frame for 18", 20" & 22" sizes measures: 30-1/2" x 36".
- Winch sold separately.

BOTTOM BUCKET WIDTH	
MODEL	WIDTH
12"	18.75"
14"	21.25"
16"	23.75"
18"	25"
20"	27.5"
22"	30"

ELECTRIC WINCH MODEL

- All sizes have 6 buckets.
- All models extend to 10' 4" and collapse to 32".
- Frame for 12", 14" & 16" sizes measures: 24-1/2" x 48".
- Frame for 18", 20" & 22" sizes measures: 30-1/2" x 48".
- Control switch sold separately.
- Explosion proof package opt.



WACONIA

WACONIA MANUFACTURING, INC.

(952) 442-4450 FAX: (952) 442-5923 waconiainfg.com

